

GARS
Gila Amateur Radio Society
(revised 4/11/03)

GARS is a radio club founded in 1975 "to further the exchange of information and cooperation between members, to promote radio knowledge, fraternalism and individual operating efficiency, and to so conduct club programs and activities as to advance the general interest and welfare of amateur radio in the region."

By virtue of its breadth of activity, the club has been designated a Special Service Club by the Amateur Radio Relay League (ARRL).

Meetings are held the second Friday of each month at Harlan Hall on the Western New Mexico University Campus, located on the 500 block of West 12th St. All are welcome to come. There is usually a short business meeting followed by a talk of general interest on some aspect of radio.

The club enjoys a number of certified Volunteer Examiners, and exams for all Amateur license classes are held periodically.

Club facilities include:

- 1) An open repeater on Black Peak in the Pinos Altos range; a 146.98 MHz (-) repeater [PL103.5] and is continually linked with the 2-meter repeater on Black Peak.
- 2) An open repeater located on Frisco Divide between Reserve and Luna, NM which operates on 147.38 MHz (+) [PL103.5] is continually linked with the 2-meter repeater on Black Peak. All amateurs are welcome to use these repeaters.
- 3) The 146.98 repeater is linked through an autopatch system to the Silver City telephone exchange. Access is available only to members. The one stipulation is that when the Grant County Search and Rescue Team is activated on a search and rescue mission, they shall have priority use of all GARS facilities.

The club sponsors a net on the 146.98 MHz repeater at 8:00 PM on Sunday nights, where check-ins located in Southwestern New Mexico, Arizona and Texas can be found. Announcements of interest concerning club activities are given on the net.

Oftentimes, members meet for breakfast at a restaurant on the 4th Saturday of the month, the location of which is given on the Sunday 2-meter net and the *QRL?* newsletter.

The *QRL?*, GARS' monthly newsletter containing information about GARS activities and items of general interest to hams is available on the GARS' website: www.zianet.com/gars. A mailed copy is available for an additional cost of \$6.00. Members can advertise to buy or sell items related to amateur radio.

GARS is an informal and friendly group whose members have a wide range of interests. You can find someone involved in almost any aspect of amateur radio that you would like to pursue.

**GARS CONSTITUTION
CONSTITUTION AND BYLAWS OF
THE GILA AMATEUR RADIO SOCIETY
(adopted May 14, 1993)**

Preamble

We, the undersigned, wishing to secure for ourselves the pleasure and benefits of the association of persons commonly interested in Amateur Radio, constitute ourselves the Gila Amateur Radio Society, affiliated with the American Radio Relay League, and enact this constitution as our governing law. It shall be our purpose to further the exchange of information and cooperation between members, to promote radio knowledge, fraternalism and individual operating efficiency, and to so conduct club programs and activities as to advance the general interest and welfare of amateur radio in the region.

Article I

Membership. All persons interested in Amateur Radio Communications shall be eligible for membership. A minimum of ten percent of the active membership shall constitute a quorum for the transaction of business.

**Article II
Officers**

Sec. 1 - The officers of this club shall be:
President, Vice President, Secretary-Treasurer, and Communications Officer.

Sec. 2 • The officers of this club shall be elected for a term of one year by ballot of the members present, provided there is a quorum, at the last regularly scheduled meeting in December.

Sec 3. - Vacancies occurring between elections must be filled by a special election at the first regular meeting following the withdrawal or the resignation.

Sec 4. - Officers may be removed by a three-fourths vote of the membership present, providing there is a quorum. The formal action must be tabled until the next meeting when the vote for removal will be taken.

**Article III
Officer Duties**

Sec. 1 - The President shall preside at all meetings of the club, and conduct the same according to the rules adopted; shall enforce due observance of this constitution and bylaws; decide all questions of order, sign official documents that are adopted by the club, and none other; and perform all other customary duties pertaining to the office of the President.

Sec 2. • The Vice President shall assume all the duties in the absence of the President.

Sec. 3 • The Secretary-Treasurer shall receive and receipt all monies paid to the club, and he shall keep an accurate account of all monies received and expended. He shall pay no bills in excess of fifty dollars (\$50) without proper authorization (by the club or its officers constituting a business committee). At the end of his term, he shall turn over everything in his possession belonging to the club to his successor. He shall assume duties of the Vice President in the absence of that officer; he shall take minutes of all meetings; he has the responsibility for all club correspondence.

Sec 4. - The Communications Officer shall have responsibility for coordinating all emergency and/or special communications. He will be the Chair of the Repeater Committee.

Article IV

Meetings. The bylaws shall provide for regular and special meetings.

Article V

Dues. The club, by a majority vote of those active members present at any regular meetings, provided there is a quorum, may levy upon the general membership such dues or assessments as shall be deemed necessary for the business of the organization within its objectives as set forth in the preamble. The formal action must be tabled until the next meeting when the vote for the levying of dues or assessments will be taken. Nonpayment of dues or assessments shall be cause for a member to be put on inactive status. Inactive members do not have voting or autopatch privileges. Upon payment of dues, the member will regain active status. Inactive status is limited to a maximum of two years. Dues are for a calendar year and are payable by the end of February.

Article VI

Additional Committees. Any general committee head shall be designated by the president of the club when needed. A permanent Technical Committee will oversee repeater operations, television and radio frequency complaints (TVI and RFI), and related issues. A Repeater Committee will be responsible for investigating any alleged violations involving the use of the club's repeaters. This committee will consist of the club's officers, a member of the Technical committee chosen by the President, and a member of the repeater Trustees, chosen by the President. During the investigation of an alleged violation, the alleged violator can choose any member-at-large to serve as an additional member of the Repeater Committee. The chair of this committee will be the Communications Officer. This committee will make recommendations to the membership at large at the next business meeting regarding any action to be taken by the club against the alleged violator. Any final decision will be made by a majority vote of the membership present, providing there is a quorum. Access to all codes and functions of the repeater, not necessary for the repeater's general operation, shall be limited to members of the Repeater Committee.

Article VII

Amendments. The constitution and bylaws may be amended by a majority vote of the active membership present over 16 years of age, providing there is a quorum. Proposals for amendments shall be voted on at the next following regular meeting, provided all active members have been notified of the intent to amend the constitution and/or bylaws at said meeting

Article VIII

Rules. Robert's Rules of Order shall govern all proceedings.

Article IX

Repeater. The Gila Amateur Radio Society will support, maintain, and operate such repeater facilities as are deemed appropriate by the club. All general codes and functions, as determined by the Repeater Committee, shall be limited to current active members.

Bylaws

Membership. An official written application for membership shall be made at a regular meeting. Each applicant must express a willingness to abide by the constitution and the bylaws and other written and published rules of the club. A majority vote of those active members present, provided there is a quorum, is necessary to become a member of the club. A member can be removed by three-fourths vote of the active membership present, provided there is a quorum. Any motion to remove must be tabled for action until the next meeting.

Meetings. Regular meetings shall be held once each calendar month at such a place and time as the membership agrees. Special meetings can be called by the President by notification of all active members.

Dues. A regular assessment shall be levied annually to finance operations of the club. Four membership categories exist: Full, Family, Full with remote base privileges and Inactive.

ADOPTED May 14, 1993.

REPEATER ETIQUETTE (revised 4/11/03)

To call someone, speak their call sign followed by yours. Example: if N5BOJ wants to call KB5STH, she would say, "KB5STH, N5BOJ." After contact is made, you need give only your own call sign whenever you identify. If you choose to use both call signs, remember to give your call last.

Identify every 10 minutes and at the end. If you just "kerchunk" the repeater to see if you can hit it, you must identify. If you transmit and don't hear a beep, you still must

identify your transmission. It's required by FCC regulations. Never communicate with an unlicensed operator except in an emergency.

If you want to talk to anyone who will answer, state your call and say, "monitoring." Example; "N5RTM monitoring." Other possibilities include: "This is WB5RHS. I'm looking for some local restaurant information, WB5RHS," or "Is there anyone around who has a manual for the Heath HW-101? This is N5JCF." However you choose to call, be courteous and remember to identify.

Practice common courtesy - don't interrupt or butt-in to a conversation. If you need to use the repeater and it is being used, politely break in by saying "break" followed by your call sign. Don't break in to emergency communications unless you have an emergency also. Pause between transmissions to allow for breaks and emergencies. Keep conversations short. Always yield to emergencies.

Repeaters are intended to enhance mobile and portable communications. Use simplex when possible. Long conversations, ragchewing, and frequent base-to-base exchanges belong on simplex, packet, or HF.

Speak normally - it is not necessary to use any special "jargon." Avoid the use of CB terms such as "ten-four" and "breaker-breaker." The use of CB jargon has been known to cause brain damage which can only be treated with CW.

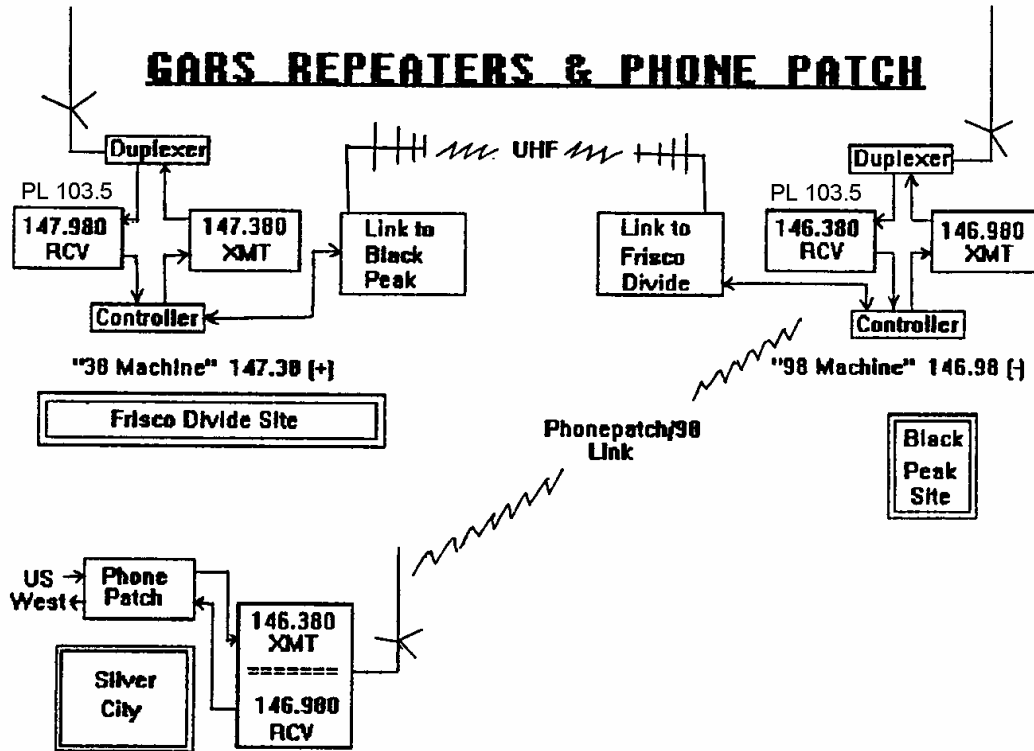
PHONE PATCH ETIQUETTE

Identify before and after using the phone patch. Speak clearly. Specific phone patch instructions are available to members on a separate sheet.

Remember that the phone patch uses a club member's residential phone line. Keep conversations short and don't over-use the patch.

Make sure that the person you are speaking to knows he or she is on the radio. If you encounter profanity or inappropriate conversation, disconnect immediately.

Never use the phone patch or repeater for business use.



OVERVIEW OF GARS FACILITIES

The Black Peak and Frisco Divide 2-meter repeaters are linked continually via UHF transceivers, thus transmissions (including Autopatch) at either site are simultaneously transmitted at the other site. Transmissions originating at Frisco Divide are identified by a Hi-Lo 2-tone courtesy beep, while those originating at Black Peak have a Lo-Hi beep.

A phone patch controller (Autopatch) and 2-meter transceiver located in Silver City provide the interface between the telephone company and the 2-meter repeater on Black Peak.

All facilities at the Black Peak site are solar-powered. All other facilities use commercial power.

GARS pays an annual fee to the US Forest Service for use of the Frisco Divide and Black Peak sites.

The Autopatch has traditionally been located at a GARS member's home and connected to the members private phone line.